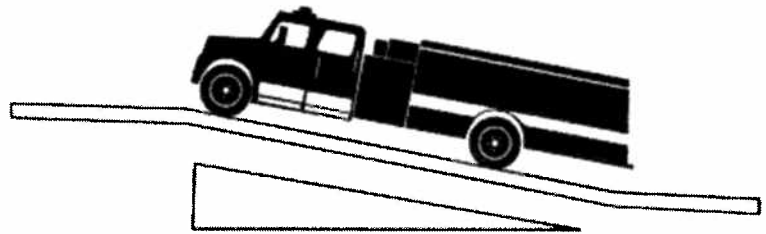


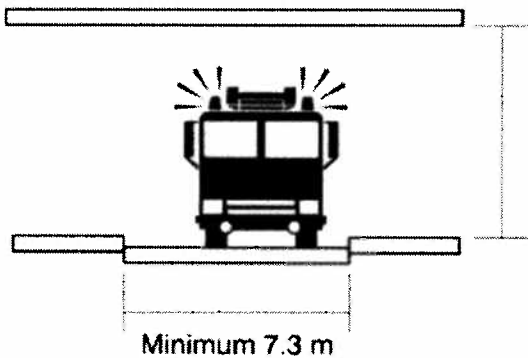


# Burnaby Fire Department Requirements for Fire Truck Access Routes

This requirement is designed to prevent the vehicle from dragging either it's back end or midsection on grade changes.

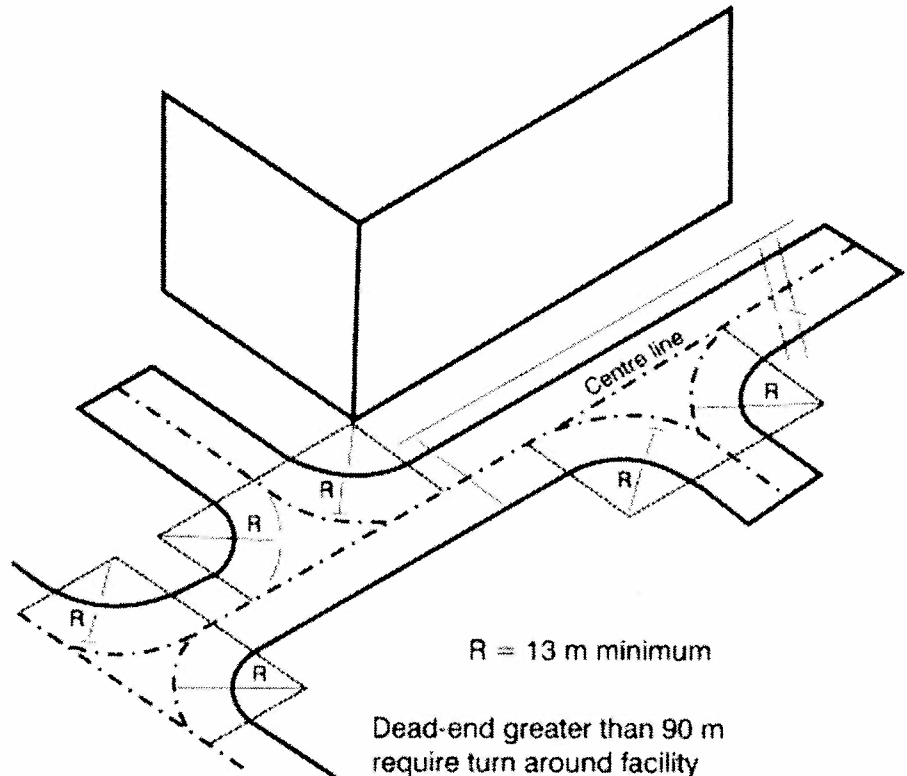


Maximum slope 1:12.5  
Minimum 15 m length of slope



5 m vertical clearance above all portions of access routes

Minimum 7.3 m



R = 13 m minimum

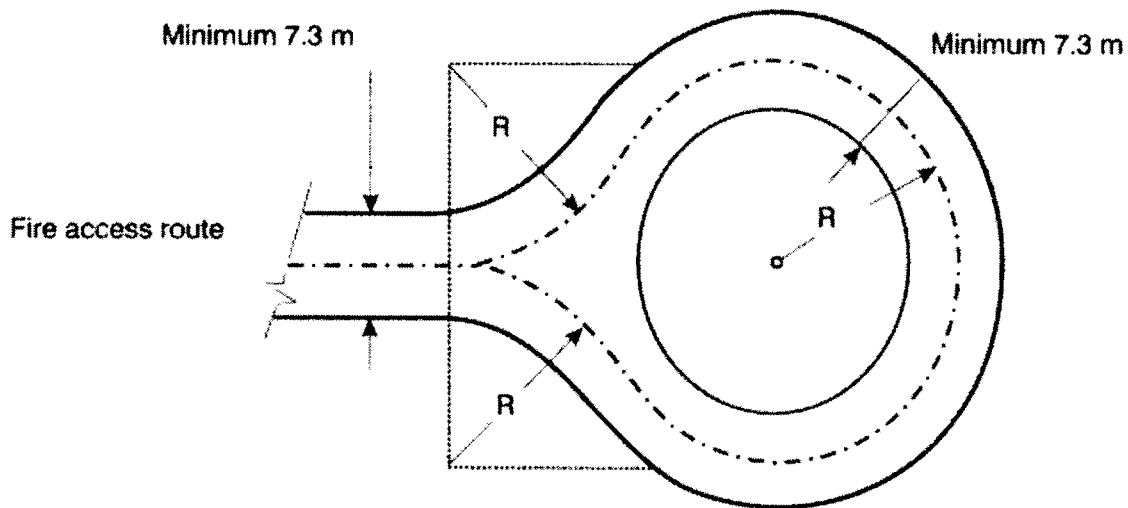
Dead-end greater than 90 m require turn around facility

Public Thoroughfare

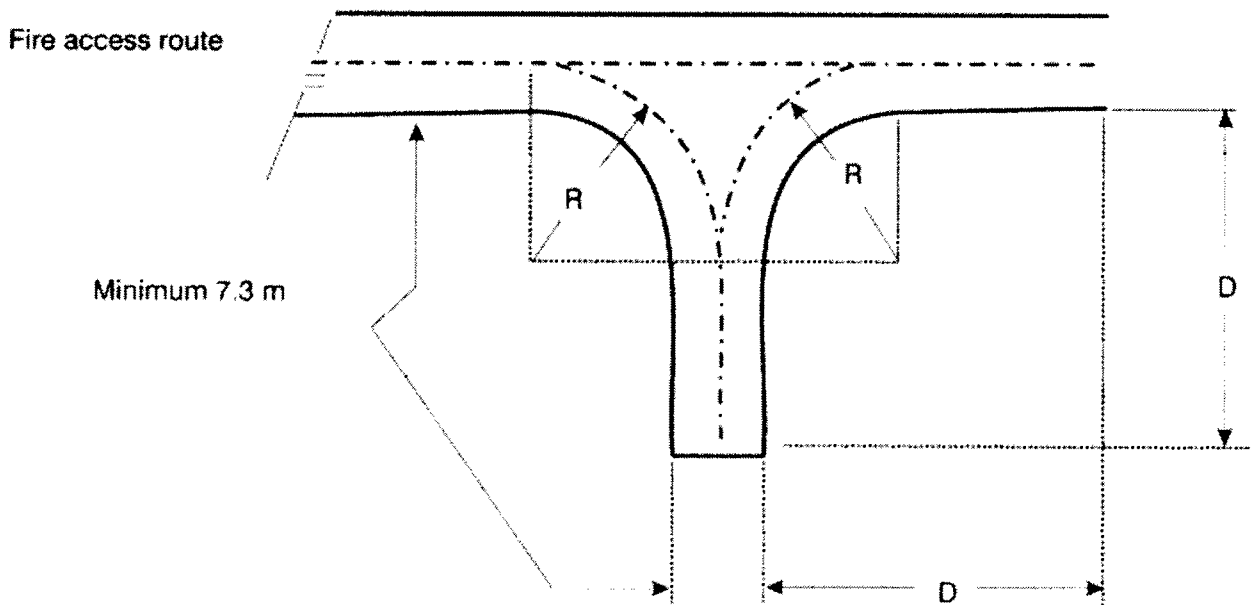


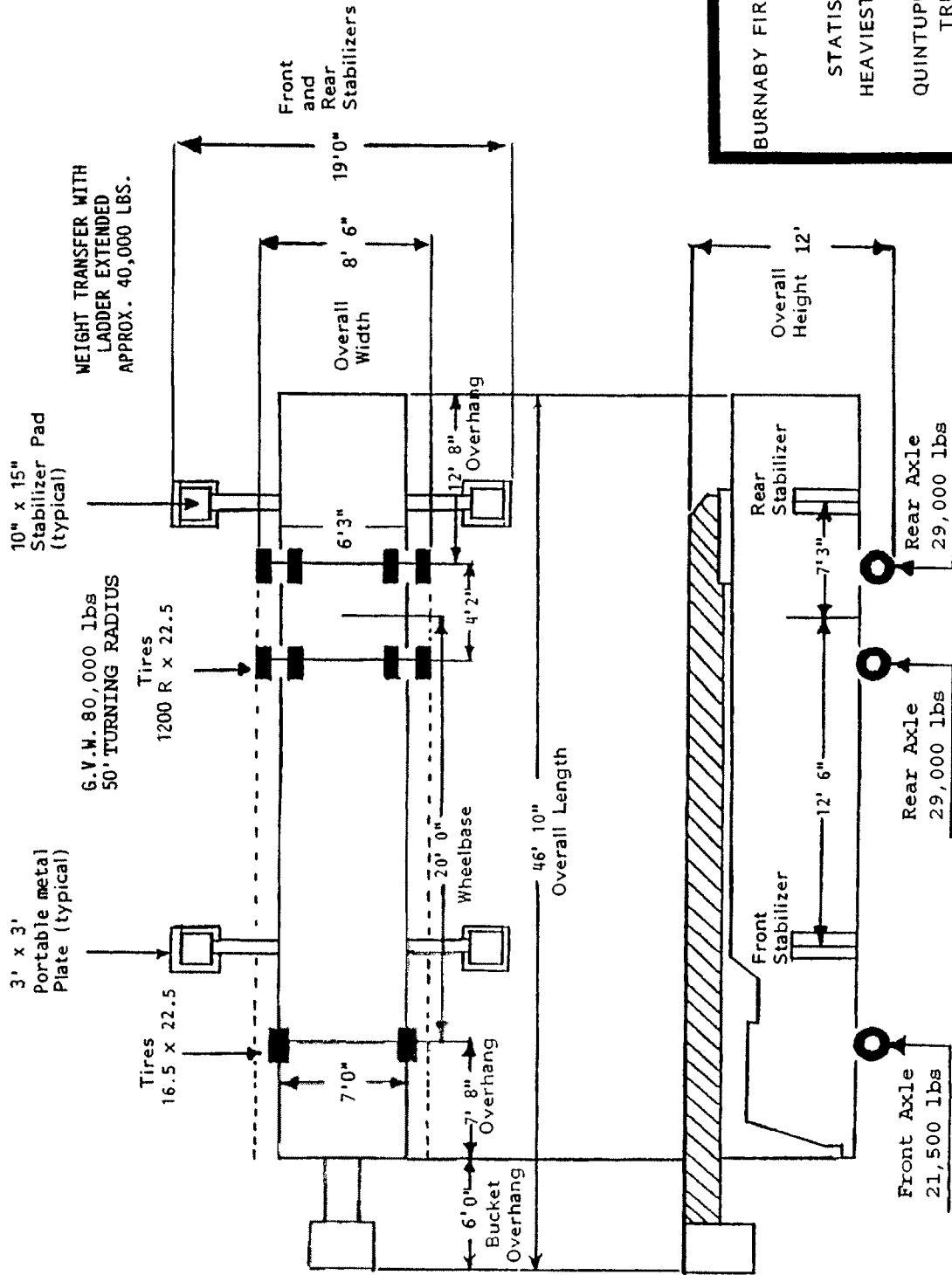
# Burnaby Fire Department Requirements for Fire Turn Around Facilities

Examples of turn around facilities



R = Minimum 13 m  
D = Minimum 15 m





BURNABY FIRE DEPARTMENT  
 STATISTICS OF  
 HEAVIEST VEHICLE  
 QUINTUPLE AERIAL  
 TRUCK  
 2006 02 01