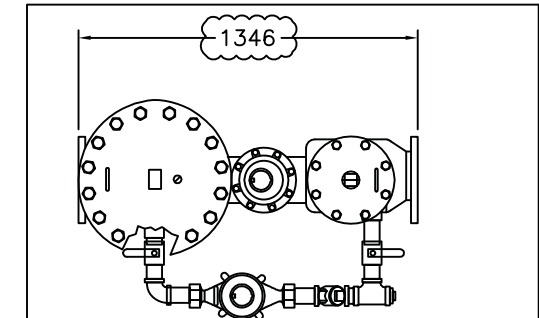


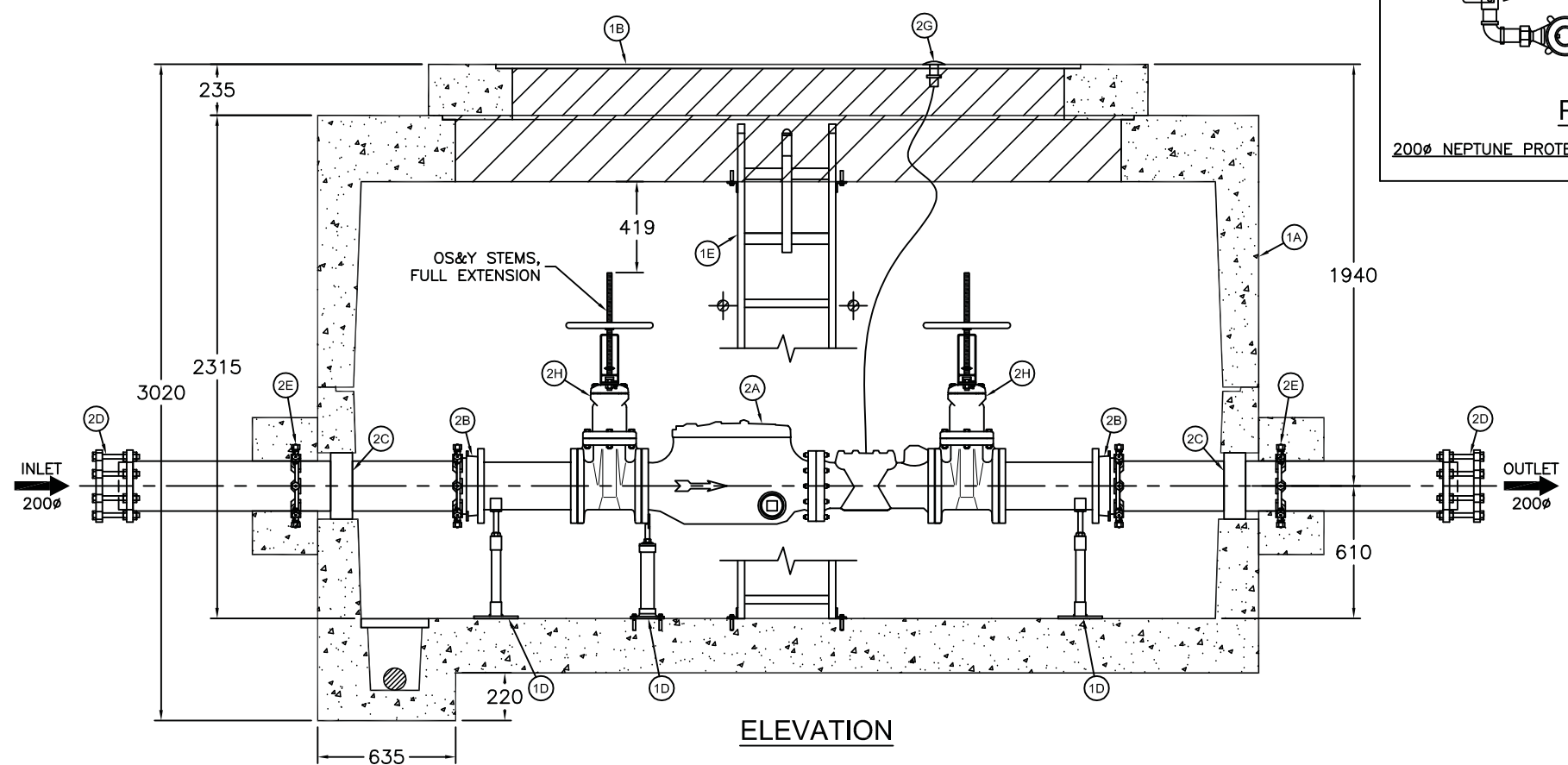
PLAN

REINFORCED CONCRETE THRUST BLOCKS NOT BY CORIX.



PLAN

200Ø NEPTUNE PROTECTUS III FIRE SERVICE METER



ELEVATION

BILL OF MATERIALS

ITEM	QTY	DESCRIPTION
1A	1	LCG 4212 CONCRETE PRECAST CHAMBER
1B	1	LCG (3) DOOR GALVANIZED HATCH CAST-IN 3151 ROOF SLAB C/W RR HOLE & PADLOCK RECESS
1C	1	ALUMINUM SUMP GRATING, FULL CHAMBER WIDTH
1D	6	ADJUSTABLE GALVANIZED PIPE STAND
1E	1	ALUMINUM LADDER C/W RETRACTABLE SAFETY POST
2A	1	200Ø OMNI COMPACT F2 FIRE SERVICE METER c/w INTEGRAL STRAINER
2B	2	200Ø EBBA 2108 MEGAFLANGE RESTRAINED ADAPTER
2C	2	200Ø LINK SEAL ASSEMBLY LS-400
2D	2	200Ø ROBAR 1408 TRANSITION COUPLING, DiXC900 PVC
2E	2	200Ø EBBA 1108 MID-SPAN RESTRAINT
2F	2	OS&Y SUPERVISORY SWITCH
2G	1	#45 TR/PL HOUSING ASSEMBLY FOR REMOTE READ
2H	2	200Ø MUELLER RESILIENT OS&Y ISOLATION GATE VALVE w/ HAND WHEEL
3A	1	150Ø MUELLER RESILIENT OS&Y ISOLATION GATE VALVE w/ HAND WHEEL
3B	6	150Ø EBBA 2106 MEGAFLANGE RESTRAINED ADAPTER

NOTES:

PIPE & FITTINGS 100Ø & UP TO BE PC-350 DUCTILE IRON. ALL 50Ø & SMALLER TO BE SCH. 40 BRASS. FLANGES ARE ANSI 125/150. FASTENERS ARE 18.8 NC STAINLESS STEEL.



ATTENTION: The City of Burnaby provides this information to assist you, but the City of Burnaby does not guarantee the accuracy or completeness of this information, consequently the City will not accept any responsibility for costs incurred as a result of errors, deficiencies and/or omissions from this drawing.

**YOU ARE RESPONSIBLE FOR VERIFYING THE INFORMATION PRIOR TO DESIGN, CONSTRUCTION OR INCORPORATION INTO ANY WORKS.**

**INFORMATION ONLY**

B	RC	21-06-2017	REVISED AS BURNABY CITY SPEC	-	-
REV	DRW	D-M-Y	DESCRIPTION	CHK	APP



TITLE: 200Ø FIRE SERVICE METER GENERAL ARRANGEMENT  
 PROJECT: BURNABY, BC

PAGE COUNT:	1	DRAWING No:	21739-G-000	REV:	B
SCALE:	1:30				