

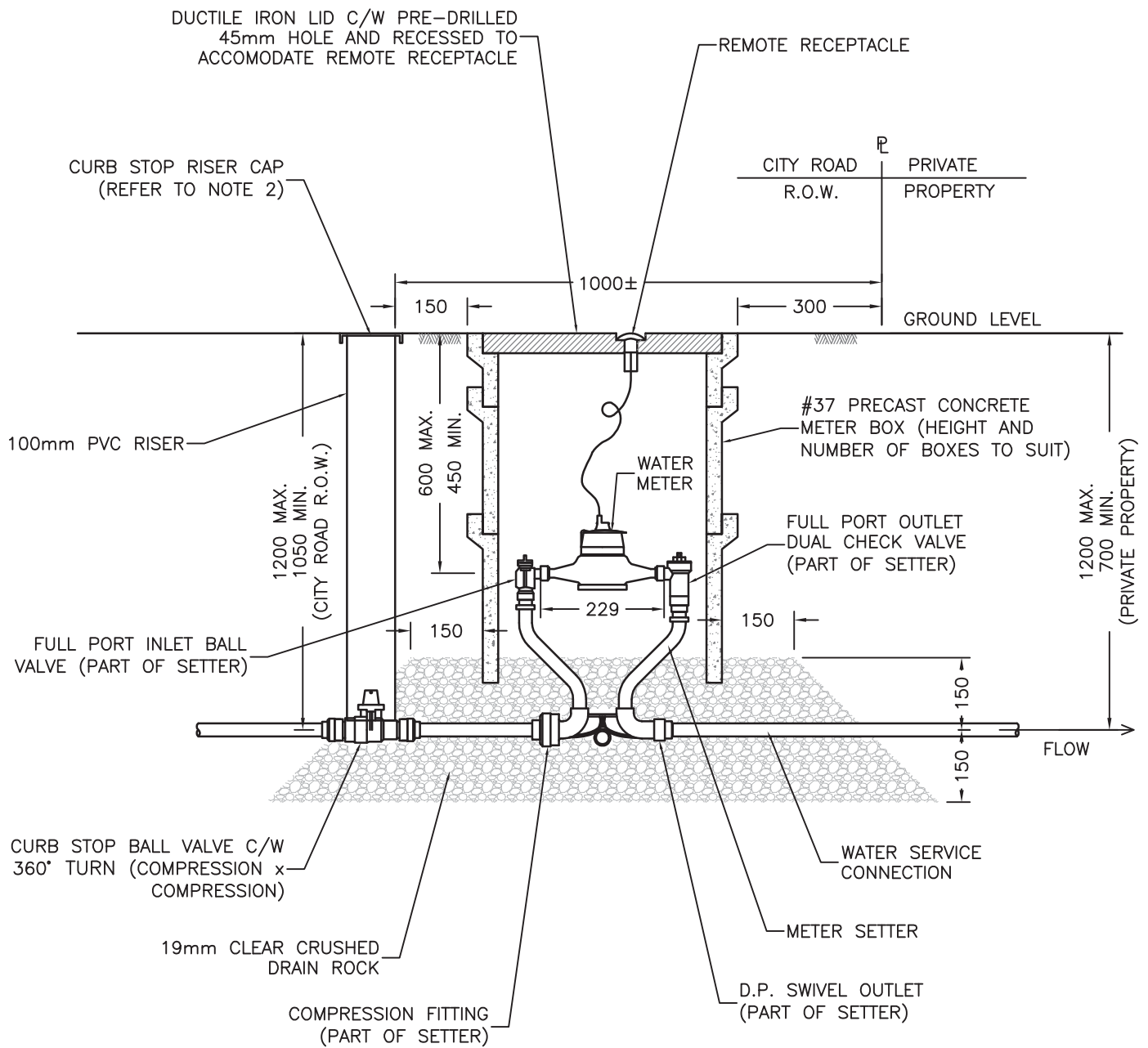
NO.	DATE	REVISION		APP'D	BY



**GENERAL LAYOUT  
FOR TYPICAL WATER METER INSTALLATIONS**

DRAWN BY: URBAN      SCALE: N.T.S.  
 APPRV'D BY:            DATE: 2016-03-22

**BBY- WM1**



NOTES:

1. THIS DRAWING SHOULD BE REVIEWED IN CONJUNCTION WITH THE CITY OF BURNABY WATER METER DESIGN GUIDELINES AND SUPPLEMENTARY SPECIFICATIONS.
2. FOR CURB STOP RISERS, DUCTILE IRON LID TO BE PROVIDED IN LANDSCAPED AREAS. NELSON BOX TO BE INSTALLED IN DRIVEWAYS OR OTHER HARD SURFACES.
3. ALL DIMENSIONS ARE IN MILLIMETRES.

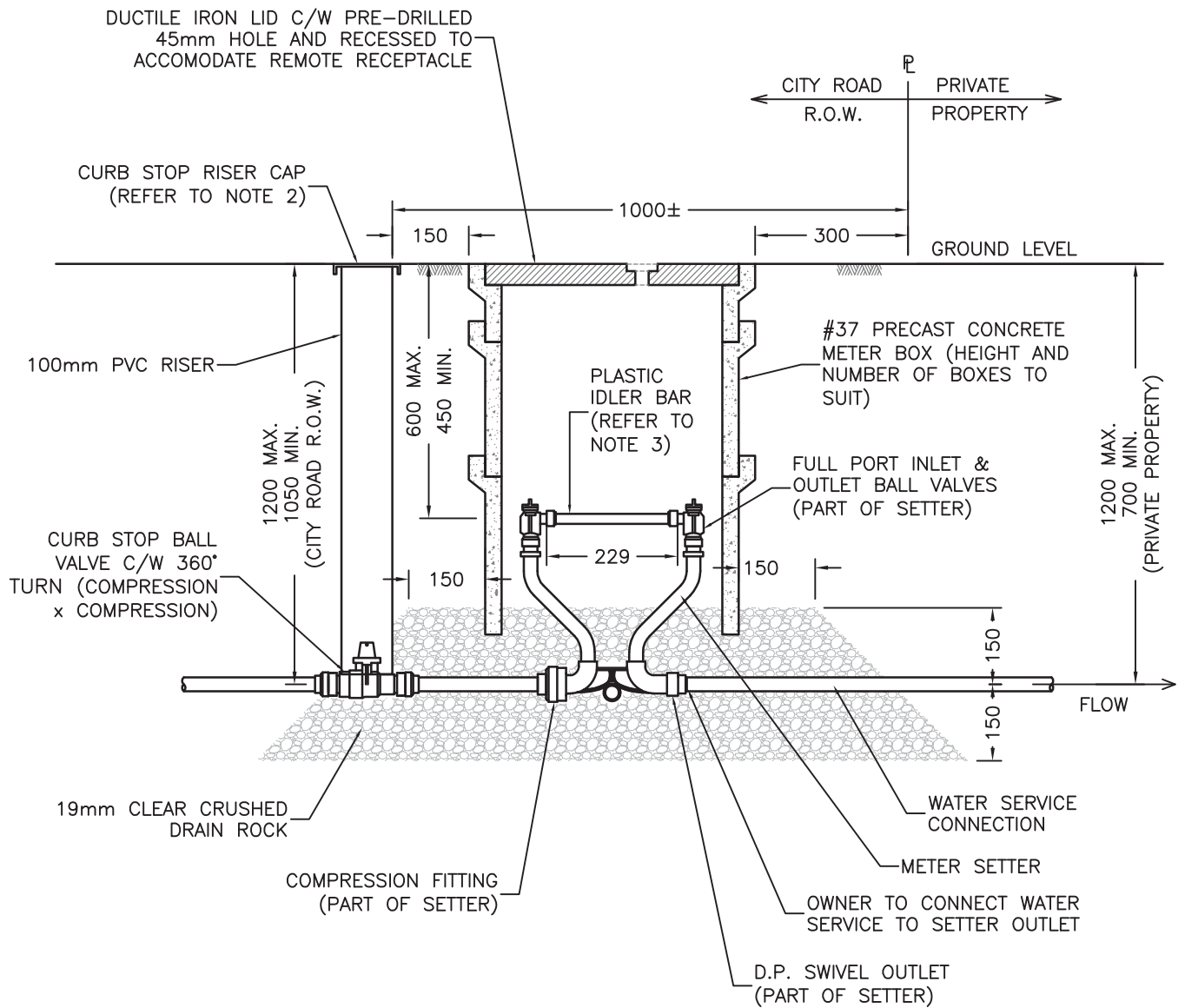
NO.	DATE	REVISION	APP'D	BY



**OUTSIDE INSTALLATION  
FOR 19mm AND 25mm METERS**

DRAWN BY: URBAN      SCALE: N.T.S.  
 APPRV'D BY:              DATE: 2016-03-22

**BBY- WM2a**



NOTES:

1. THIS DRAWING SHOULD BE REVIEWED IN CONJUNCTION WITH THE CITY OF BURNABY WATER METER DESIGN GUIDELINES AND SUPPLEMENTARY SPECIFICATIONS.
2. FOR CURB STOP RISERS, DUCTILE IRON LID TO BE PROVIDED IN LANDSCAPED AREAS. NELSON BOX TO BE INSTALLED IN DRIVEWAYS OR OTHER HARD SURFACES.
3. PLASTIC IDLER BAR TO BE INSTALLED IN PLACE OF WATER METER UNTIL FURTHER NOTICE FROM THE CITY OF BURNABY.
4. ALL DIMENSIONS ARE IN MILLIMETRES.

NO.	DATE	REVISION	APP'D	BY

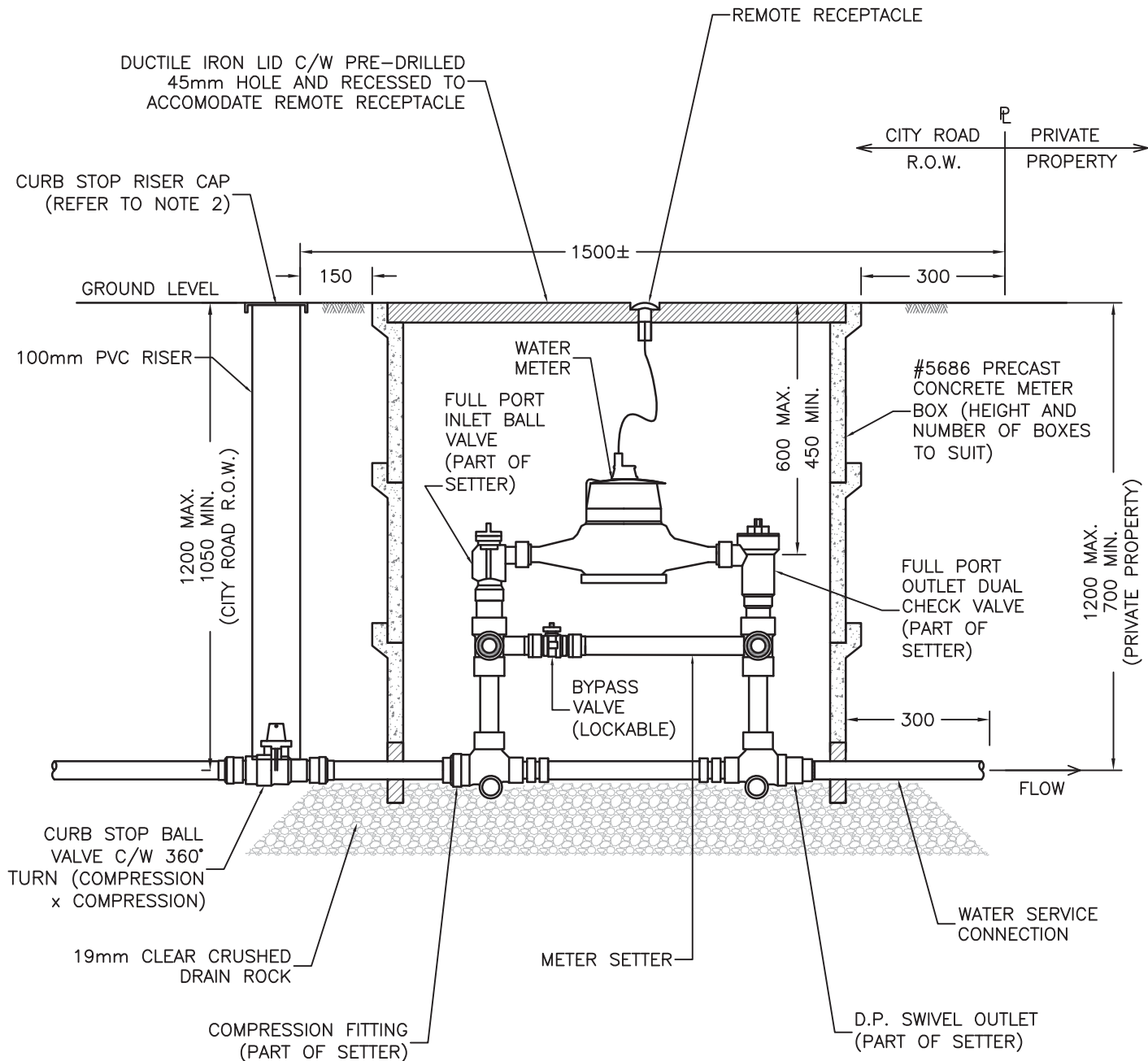


OUTSIDE INSTALLATION  
FOR 19mm AND 25mm METERS  
(SETTER WITHOUT METER)

DRAWN BY: URBAN  
APPRV'D BY:

SCALE: N.T.S.  
DATE: 2016-03-22

**BBY-** WM2b



**NOTES:**

1. THIS DRAWING SHOULD BE REVIEWED IN CONJUNCTION WITH THE CITY OF BURNABY WATER METER DESIGN GUIDELINES AND SUPPLEMENTARY SPECIFICATIONS.
2. FOR CURB STOP RISERS, DUCTILE IRON LID TO BE PROVIDED IN LANDSCAPED AREAS. NELSON BOX TO BE INSTALLED IN DRIVEWAYS OR OTHER HARD SURFACES.
3. ALL DIMENSIONS ARE IN MILLIMETRES.

NO.	DATE	REVISION	APP'D	BY



**OUTSIDE INSTALLATION  
FOR 38mm AND 50mm METERS**

DRAWN BY: URBAN      SCALE: N.T.S.  
 APPRV'D BY:            DATE: 2016-03-22

**BBY- WM3**